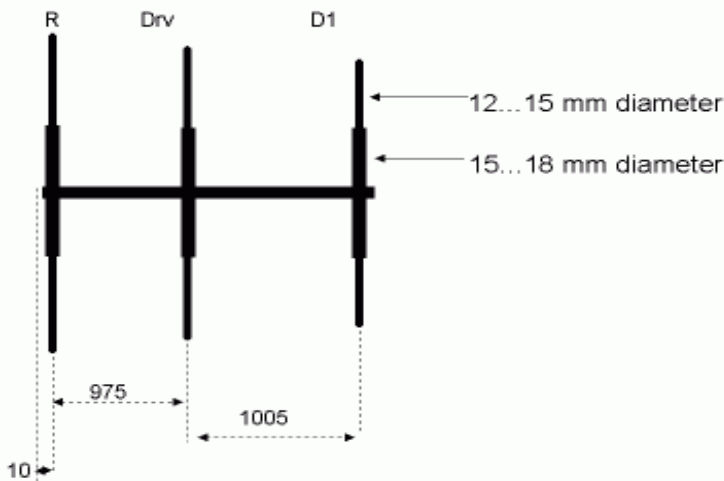


3 ELEMENT 50MHZ LONG YAGI, By ON1DHT

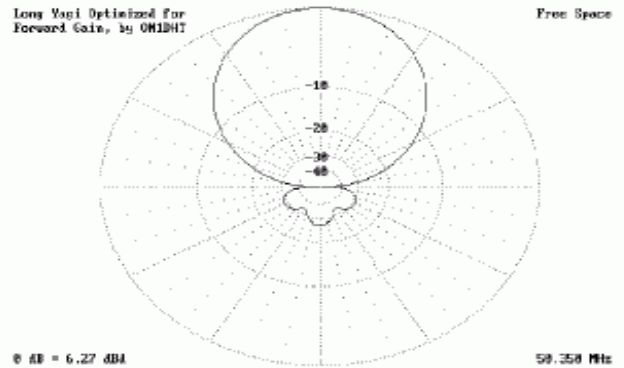
Top view



Element	Length	Prog. Spacing
Reflector	2940	10
Driver	2870	985
Director 1	2660	1990

Boomlength = 2000 mm., thickness +/- 20 mm.
 Aluminum tube diameters 12mm and 15mm.
 Used material: 3 alu tubes of 2 meter (15mm),
 3 alu tubes of 2 meter (12mm)

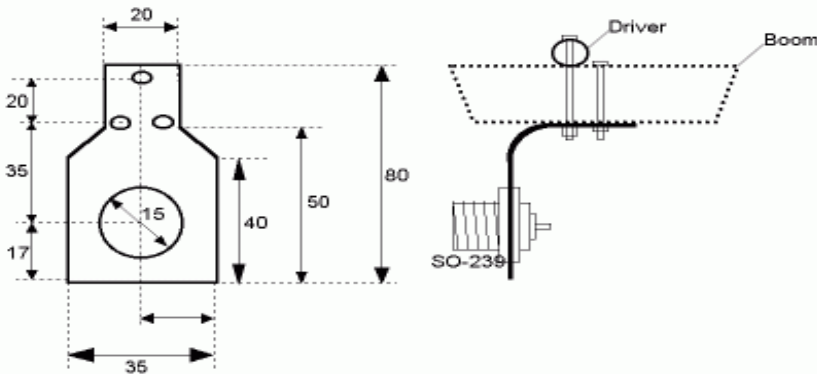
Antenna radiation pattern



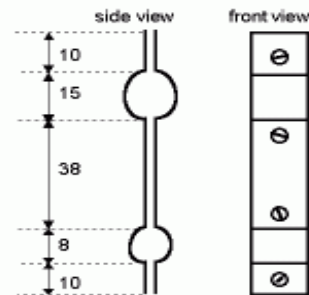
Specifications

- Forward gain = 6.1 dBd
- Front-to-Rear ratio = 25 dB
- SWR on 50.300 MHz = 1
- SWR on 50.0 & 50.6 MHz = 1.2
- Hor. plane pattern = 45°
- Ver. plane pattern = 55°
- Bandwidth = 2 MHz

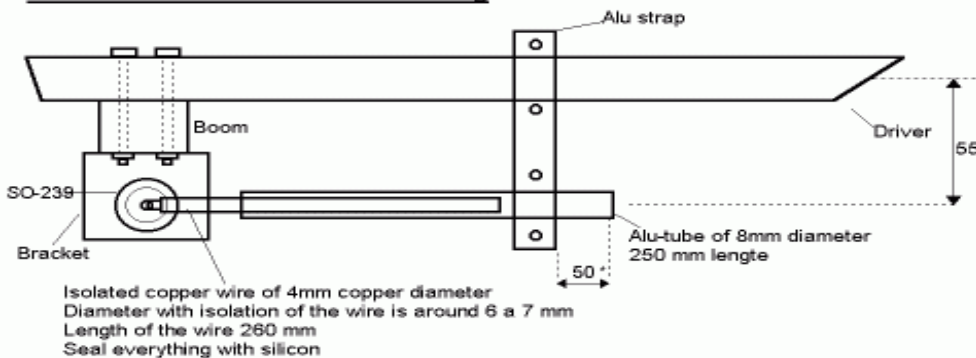
Bracket for SO-239 plug on boom



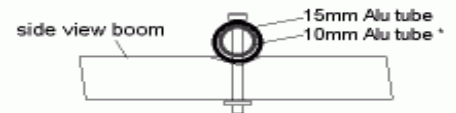
Aluminum Strap



GAMMA MATCH with concentric tubing



Example element connection to boom



Tip: Slide a bit smaller alu tube in to each element on the place where you connect the element to the boom. This to prevent from crunching the elements when screwing them firmly to the boom.

*You need to tune for best SWR.
 Move the strap and/or tube in or out

73' Guy, ON1DHT
<http://users.skynet.be/on1dht>